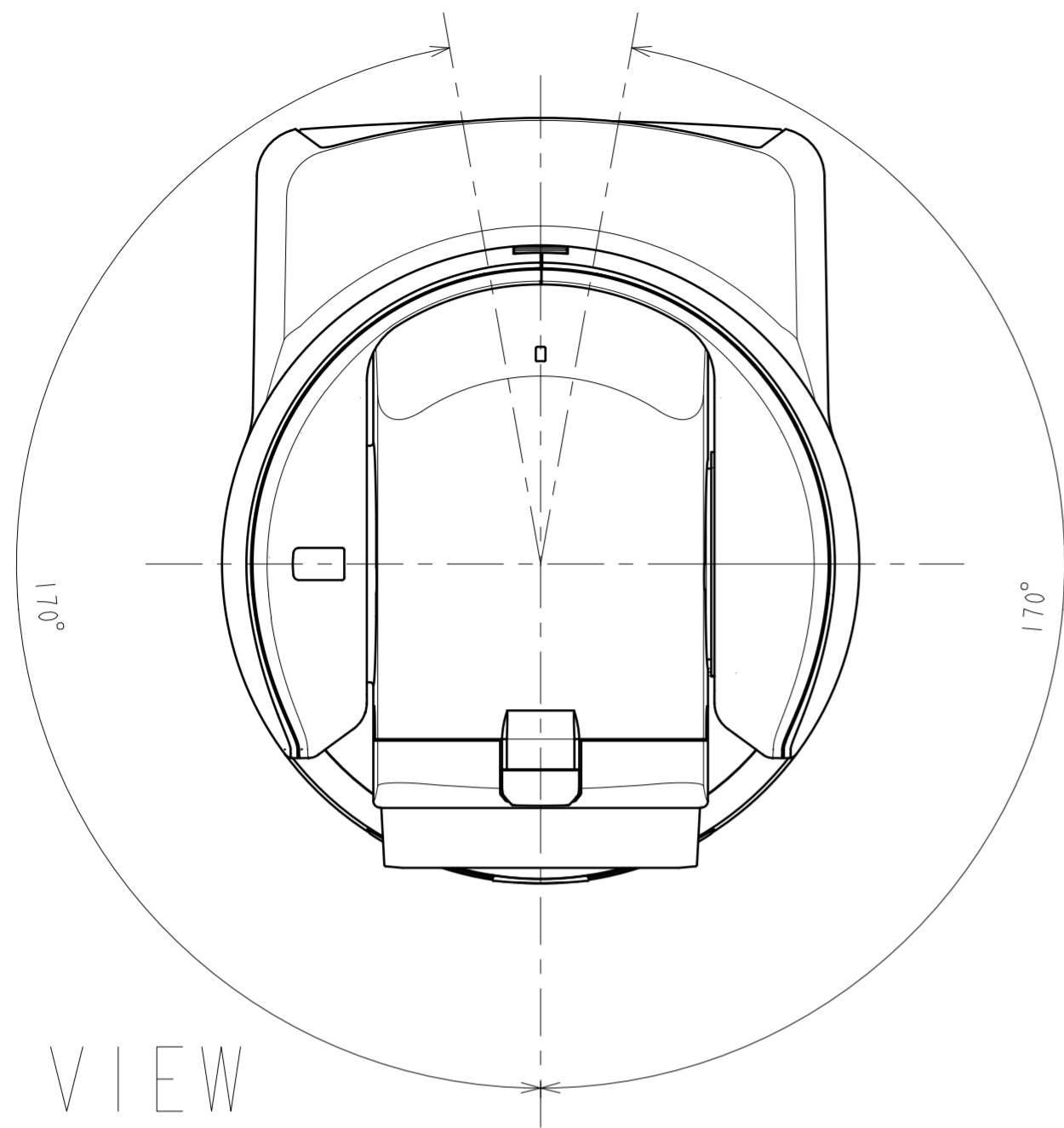
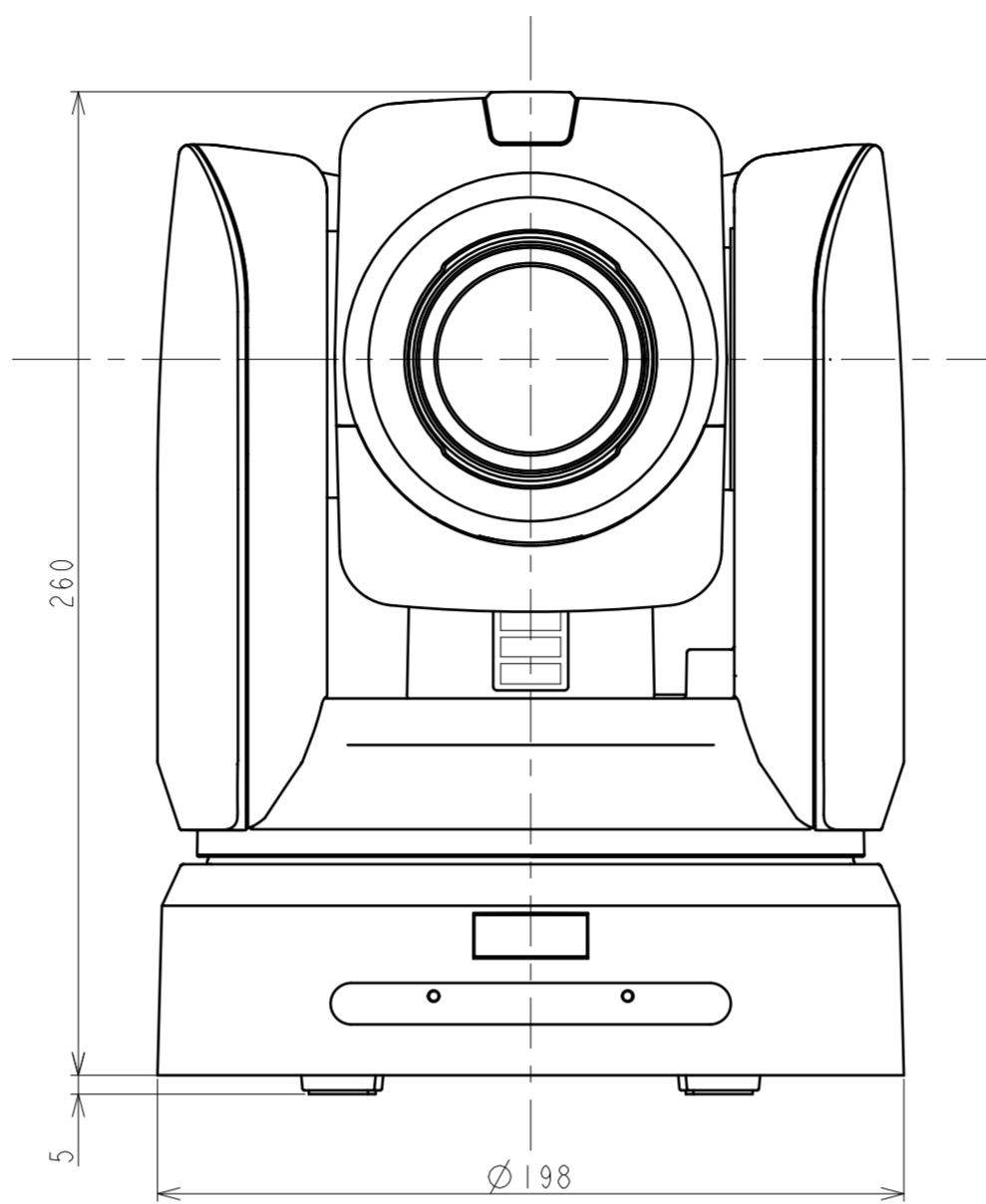


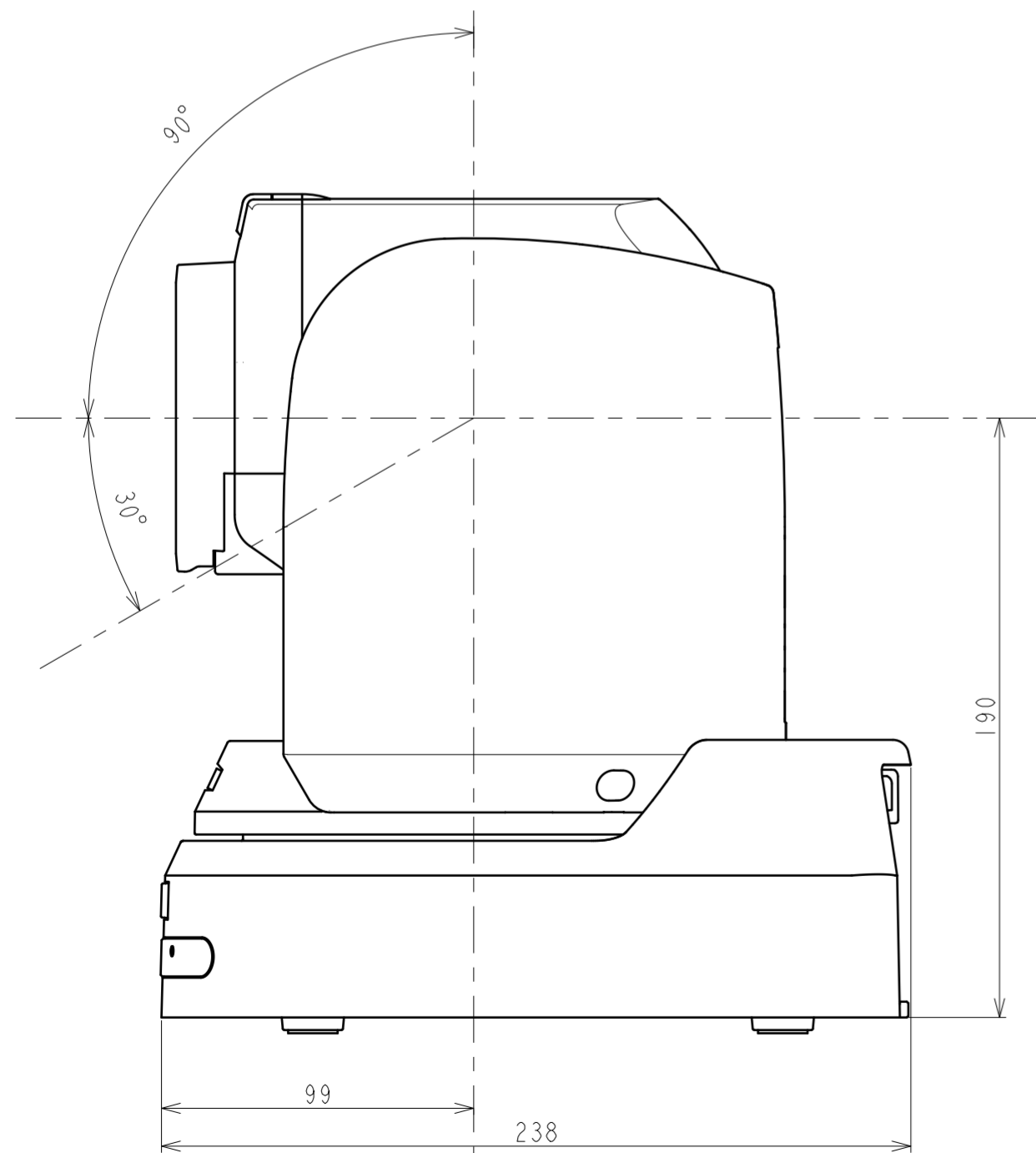
# EXTERNAL VIEW



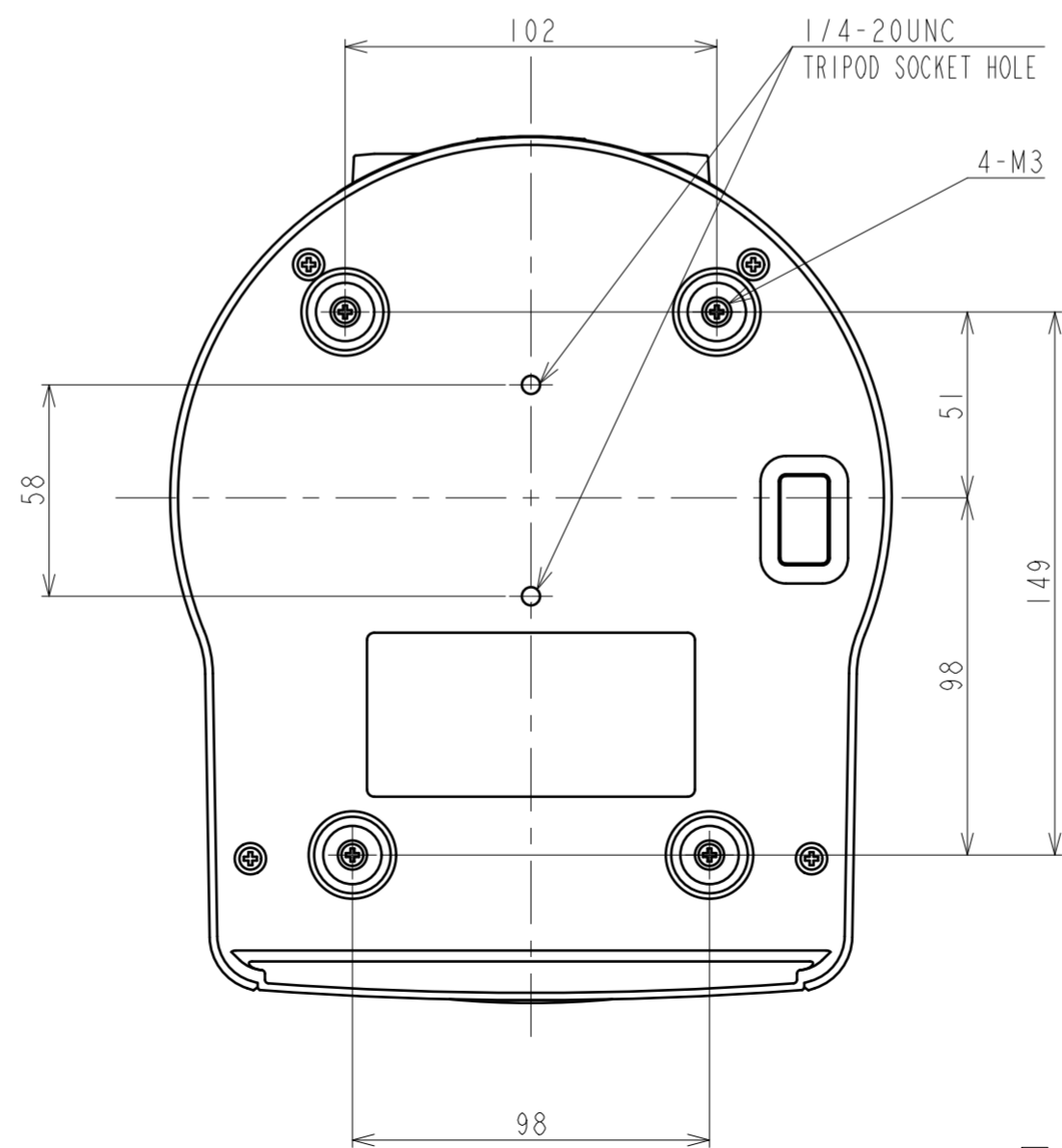
TOP VIEW



FRONT VIEW



SIDE VIEW



BOTTOM VIEW